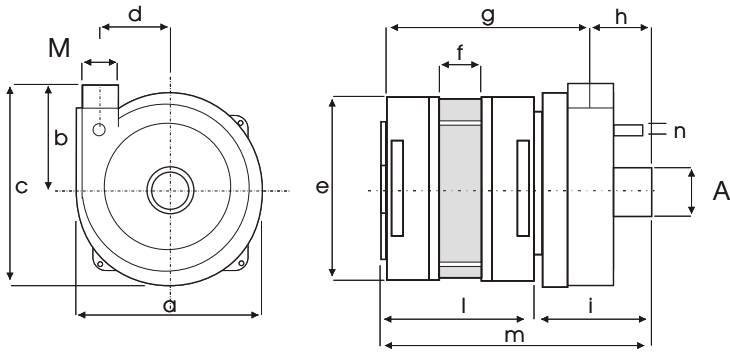
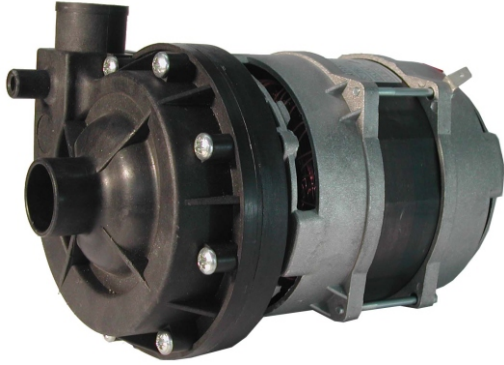


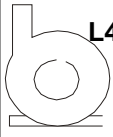


ZF 135

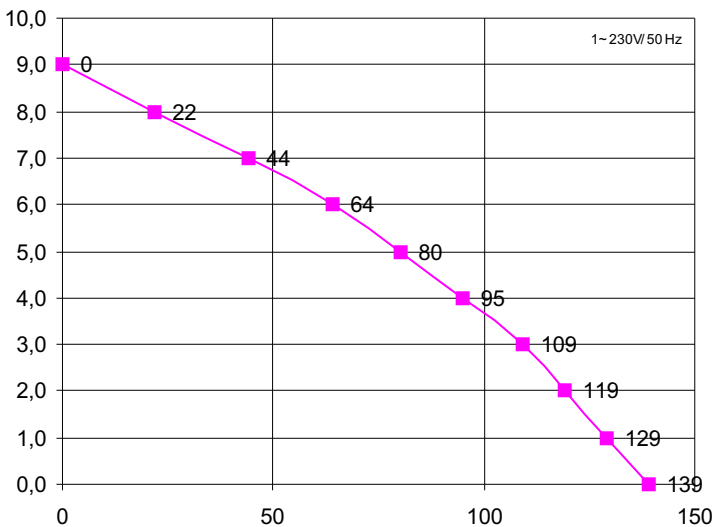
kW 0.34 Hm 9.0 max
Hp 0.46 L/1' 138 max



| | |
|--|--|
| Corpo Pompa Pump Body Pumpengehäuse | PP 30GF |
| Girante Aperta Open Impeller Offenes Laufrad | PPO 20GF |
| Albero Motore Motor Shaft Motorwelle | C 40 |
| Tenuta Meccanica Mechanical Seal Gleitringdichtung | GRAFITE/CERAMICA CARBON/CERAMIC KOHLE/KERAMIK |

| SX | A | M |
|---|----|----|
|  L4: | 30 | 30 |

| mod | a | b | c | d | e | f | g | h | i | l | m | n | kg |
|--------|-----|----|-----|----|-----|----|-----|----|----|-----|-----|----|-----|
| ZF 135 | 136 | 75 | 143 | 49 | 135 | 40 | 157 | 41 | 80 | 118 | 199 | 12 | 4,0 |



| H m | 0 | 1 | 2 | 3 | 5 | 7 | 8 | 9 |
|--------|-----|-----|-----|-----|----|----|----|---|
| L / 1' | 139 | 129 | 119 | 109 | 80 | 44 | 22 | 0 |

| | | |
|--|----------------------|--|
| Potenza motore Motor power Motor Leistung | Hp 0,46 | kW 0,34 |
| Tensione/Frequenza Tension/Frequency Spannung/Frequenz | 1~V/Hz 230/50 | |
| Corrente assorbita Power consumption Stromaufnahme | A 1,54 | |
| GPM RPM UPM | 2800 | |
| Condensatore Capacitor Kondensator | 8 µF | |
| Protezione termica Thermal Overload Überlastschutz | 155 °C | |
| Classe isolamento Insulation class Isolationsklasse | F | |
| Grado protezione Protection class Schutzklasse | IP 00 | |
| Servizio Duty Betriebsart | S1 | CONTINUO CONTINUOS DAUERBETRIEB |

Ci riserviamo il diritto di apportare modifiche tecniche
We reserve the right of technical modifications
Technische Änderungen vorbehalten

REVISIONE N.00.01/03 P82/02